

# Bin Activators food-grade design BAF



EC 1935/2004 certified



# PERFECT MASS FLOW DISCHARGING

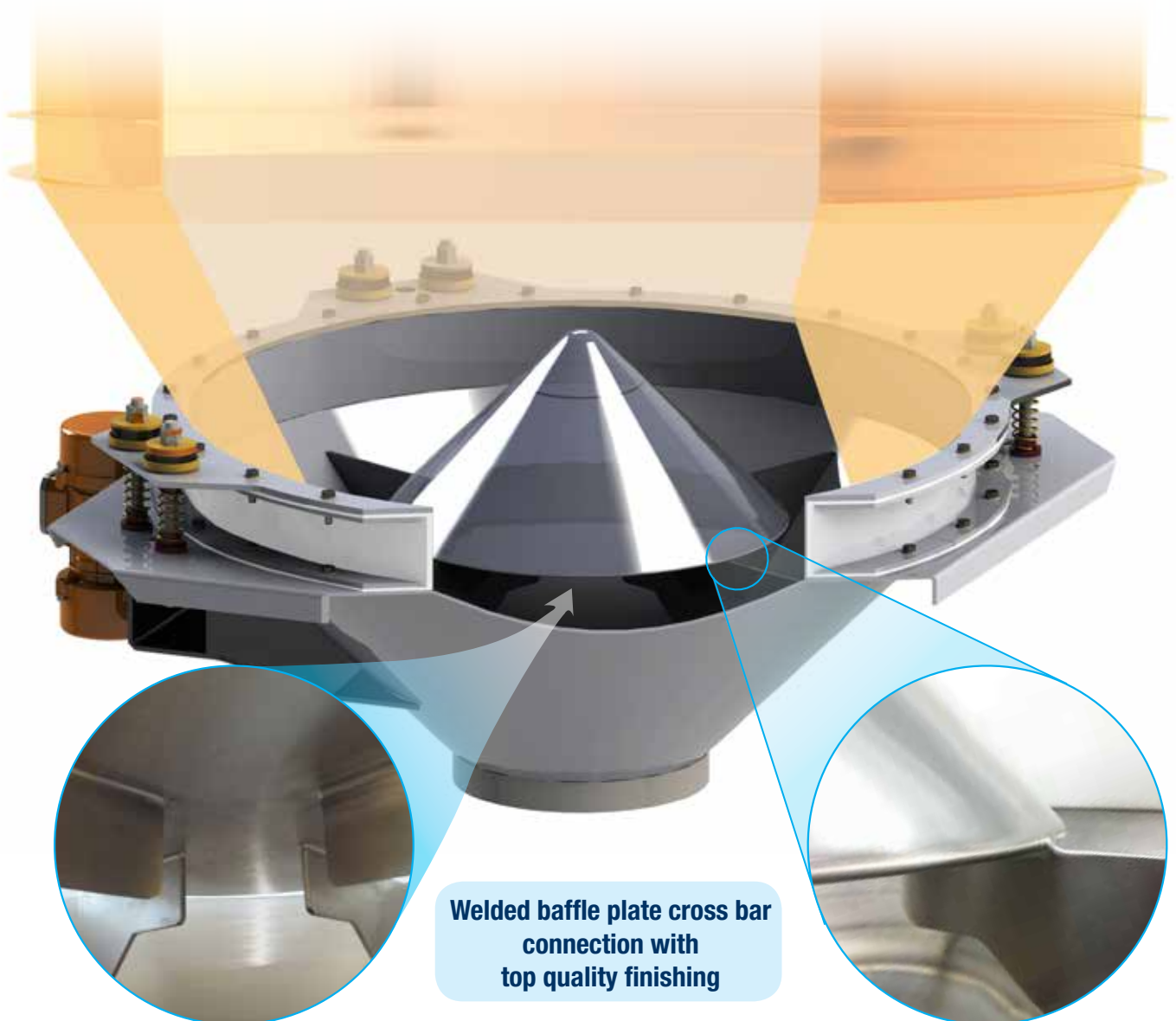
The BAF by EXTRAC® is the ultimate Bin Activator specifically designed to meet the requirements of the food industry.

With its hygienic finishing design, the EC 1935/2004-certified BAF is suitable for a variety of applications in food processing.

It excels in applications with a requirement for minimum residual of material and zero contamination.

## Technical Features

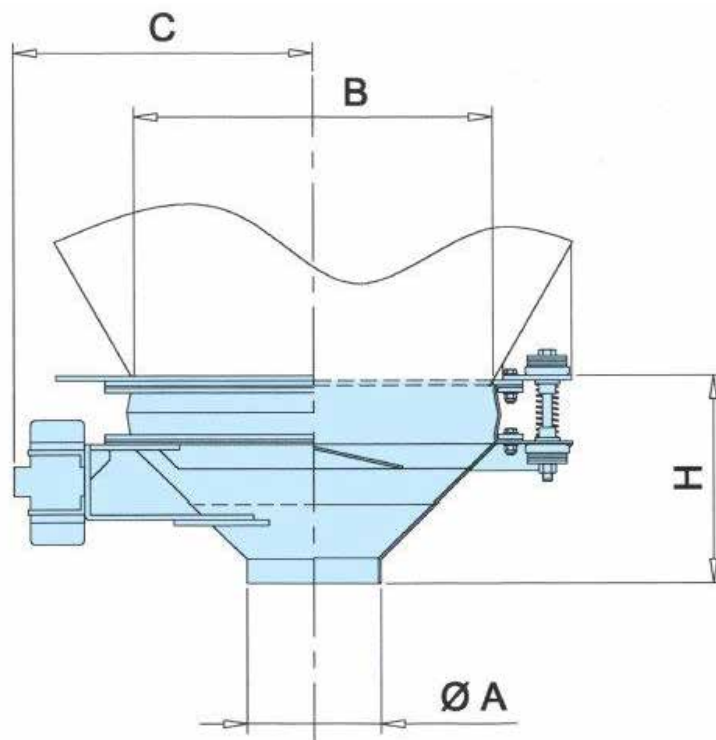
- Throughput = 5 ~ 320 m<sup>3</sup>/h (3 ~ 190 cfm)
- Range: Ø 400 mm (16 in) ~ 3,000 mm (10 ft)
- Outlet Range: Ø 114 mm (4 in) ~ 406 mm (1.3 ft)
- Material: 304L / 316L stainless steel
- Hygienic Design
- High surface finishing grade
- 70% fewer welds than with traditional bin activators
- Seamless heavy-duty activator cone
- Wide range of outlet options: PN10, PN16 flanges, WAM flanges compliant with VFP Butterfly Valves and VIB Slide Valves
- No nuts and bolts inside the bin activator
- ATEX-compliant for external zone 22
- Suitable for negative pressure (-0.5 bar)
- European Regulation (EC) No. 1935/2004-certified



## Benefits

- ✓ Seamless cone;
- ✓ Seamless gasket;
- ✓ Easy to fit;
- ✓ Gasket with integrated upper and lower flange ensuring safe connection;
- ✓ Zero residue, zero contamination;
- ✓ Crack and crevice-free;
- ✓ EC 1935/2004 certified.

## Overall Dimensions

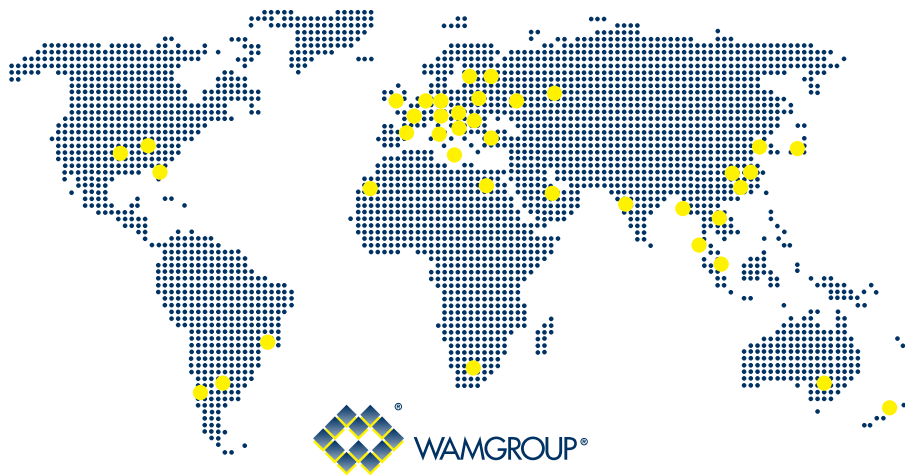


Type	Size	ØA std (mm)	B (mm)	C (mm)	H (mm)	Motovibrators (qty)	Weight (kg)
BAF040	400	114	380	427	330	1	45
BAF060	600	168	580	519	408	1	66
BAF075	750	219	730	609	456	1	82
BAF090	900	219	880	684	531	1	115
BAF100	1,000	273	980	734	555	1	125
BAF125	1,250	273	1,230	935	680	1	230
BAF150	1,500	323	1,480	1,120	774	1	385
BAF180	1,800	323	1,780	1,194	924	2	620
BAF210	2,100	406	2,080	1,420	1,033	2	720
BAF235	2,350	406	2,330	1,547	1,166	2	1,025
BAF250	2,500	406	2,480	1,705	1,307	2	1,250
BAF300	3,000	406	2,980	1,955	1,568	2	2,600

*Dimensions in mm*



# Application



2020/01/22 October 2016 Rights reserved to modify technical specifications.



[www.wamgroup.com](http://www.wamgroup.com)